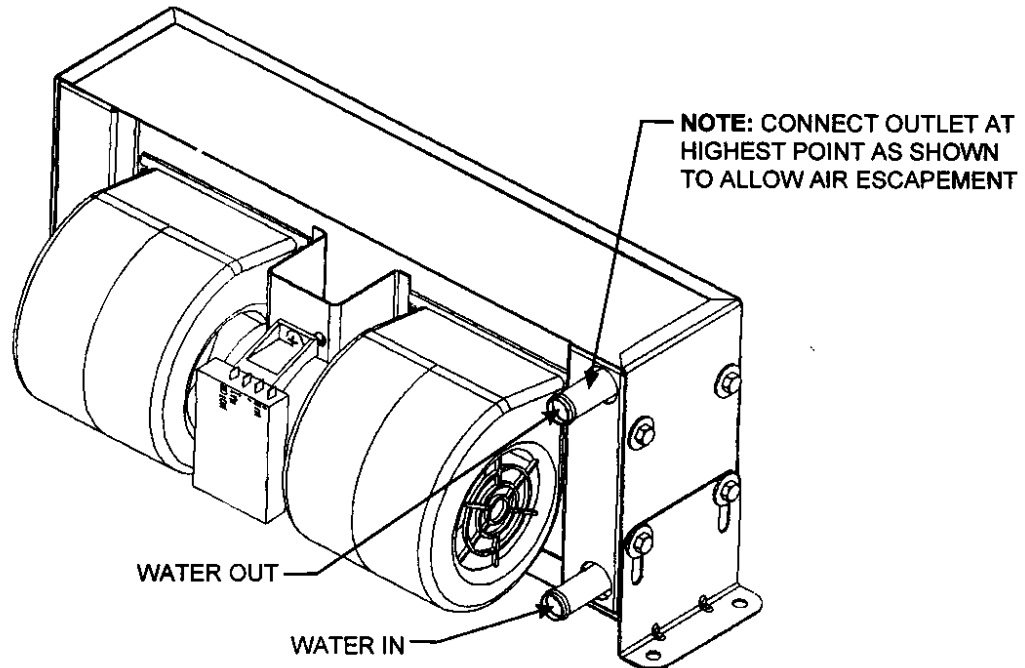




# Auxiliary Heaters R-290, R-295

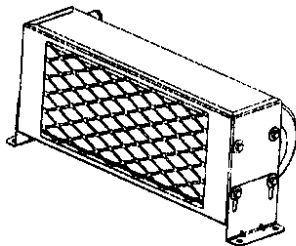
## Installation Instructions

NOTE: R-290 HAS A SINGLE BLOWER MOTOR

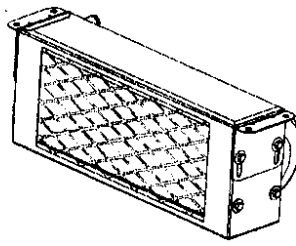


**WARNING: UNIT WARRANTY VOID IF FUSED POWER SOURCE NOT USED**  
**NOTE: NOT SUITABLE FOR OTHER THAN FRESH WATER COOLING.**

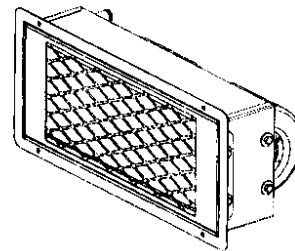
### MOUNTING POSITIONS



Floor Mount  
(Extended or Flush)



Ceiling Mount  
(Extended or Flush)

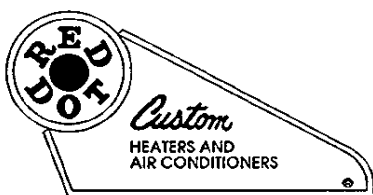


Bulkhead Mount  
(Flush)

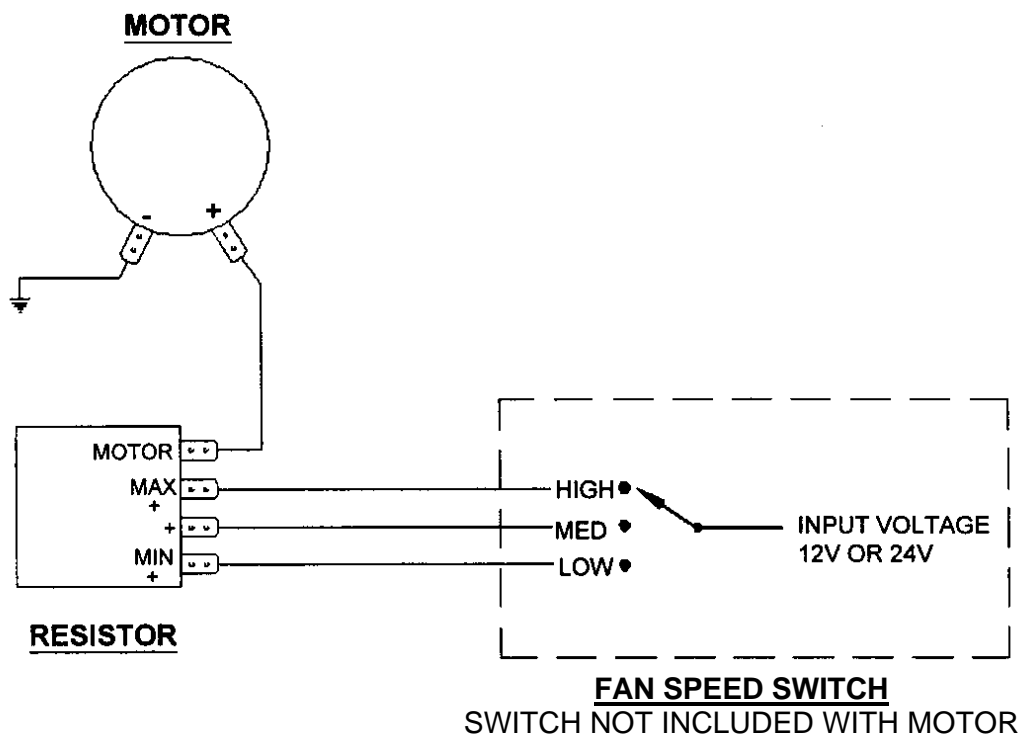
RED DOT CORPORATION PO Box 88790, Seattle, WA 98138 (425) 251-6897 Fax (425) 251-3934

RD-5-8847 REV - For reference only. Subject to change without notice

Page 1 of 2



# Auxiliary Heaters R-290, R-295



## WIRING DIAGRAM

**WARNING: UNIT WARRANTY VOID IF FUSED POWER SOURCE NOT USED**